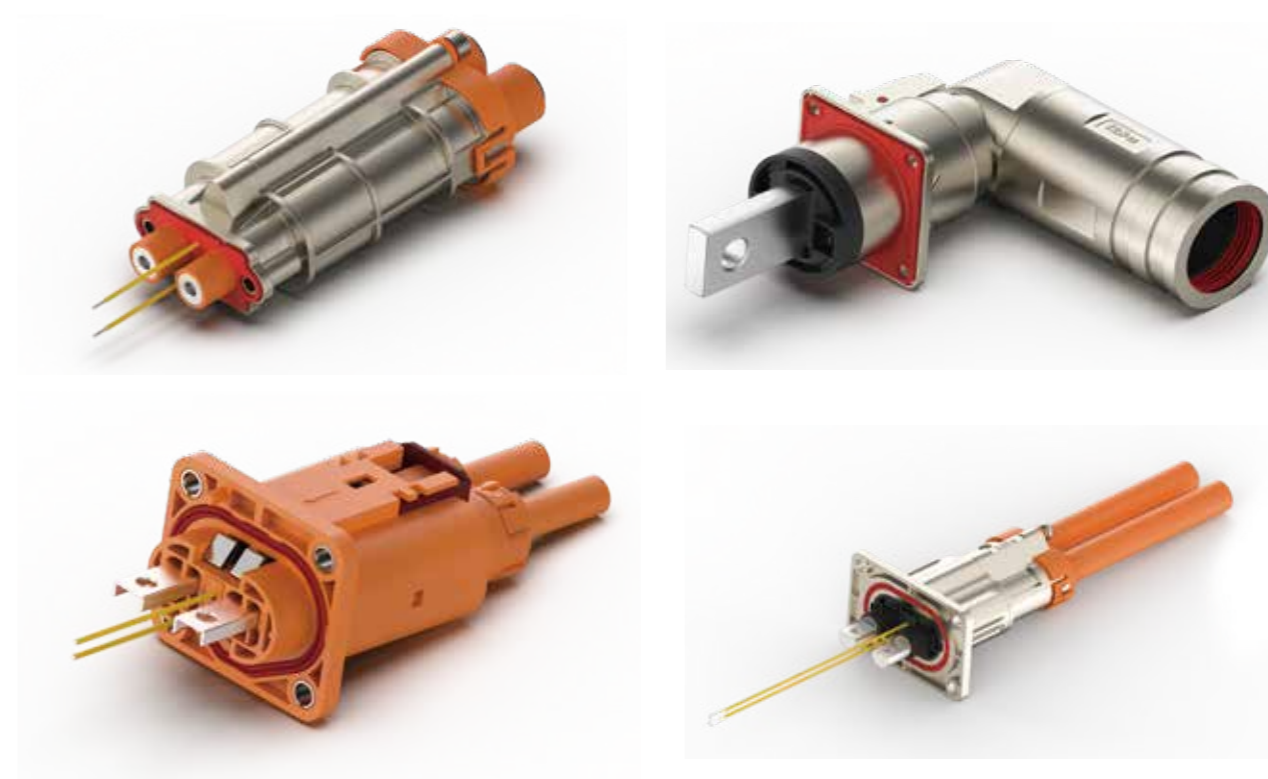




瑞莱科耐特



瑞莱科耐特



电连接产品宣传资料 ELECTRICAL CONNECTION PRODUCTS INFORMATION

电连接产品宣传资料 ELECTRICAL CONNECTION PRODUCTS INFORMATION

瑞莱科耐特（上海）电子有限公司

RE-Connect (Shanghai) Electronic Technology Co., Ltd

地址：上海市嘉定区菊园智慧中心A栋603

Add:603, Building A, Juyuan Smart Center, Jiading District, Shanghai



Tel: 021-31211585 / 15921992555

Mail: Sales@re-connect.cn

Url: www.RE-Connect.cn

瑞莱科耐特（上海）电子有限公司

RE-Connect (Shanghai) Electronic Technology Co., Ltd

地址：上海市嘉定区菊园智慧中心A栋603

Add:603, Building A, Juyuan Smart Center, Jiading District, Shanghai



Tel: 021-31211585 / 15921992555

Mail: Sales@re-connect.cn

Url: www.RE-Connect.cn

## RE-Connect瑞莱科耐特

### 公司简介Company Profile

“RE-Connect瑞莱科耐特”致力于为客户提供新能源高压电连接解决方案。

研发；设计；制造；销售:连接器端子、高压连接器、充换电接口、铜排、铝排等电连接产品。

面对全球汽车新时代，行业快速发展中产生的机遇和挑战，RE公司积极发展“极致技术”和“降本增效”。

RE公司电连接产品在机械性能、电气性能、环境性能、其他性能有很大程度的性能提成和降本。让极致性能适配、应对各种复杂极端的工况需求。

RE Connect is committed to providing customers with new energy high-voltage electrical connection solutions.

Research and development; Design; Manufacturing; Sales: Connector terminals, high-voltage connectors, charging and swapping interfaces, copper bars, aluminum bars, and other electrical connection products.

In the face of the new era of global automotive and the opportunities and challenges arising from the rapid development of the industry, RE Company actively develops "extreme technology" and "cost reduction and efficiency increase".

RE company's electrical connection products have a significant performance commission and cost reduction in terms of mechanical performance, electrical performance, environmental performance, and other performance. Adapt extreme performance to meet various complex and extreme operating conditions.



### 企业文化Company culture

愿景:

让世界美好连接。

Let the world connect beautifully.

使命:

将美好生活连接到客户/员工/社会。

Connect a better life to customers/employees/society.

我们的核心价值观:

成就用户，艰苦奋斗，自我批判，开放进取，至诚守信，团队协作。

Our core values are customer achievement, hard work, self-criticism, open and enterprising, sincere and trustworthy, teamwork.

### 社会责任Social responsibility

善待员工，服务社会，回馈民众。

Treat our employees kindly, serve the society and give back to the people.



R系列充换电端子 R series charging and exchanging terminals

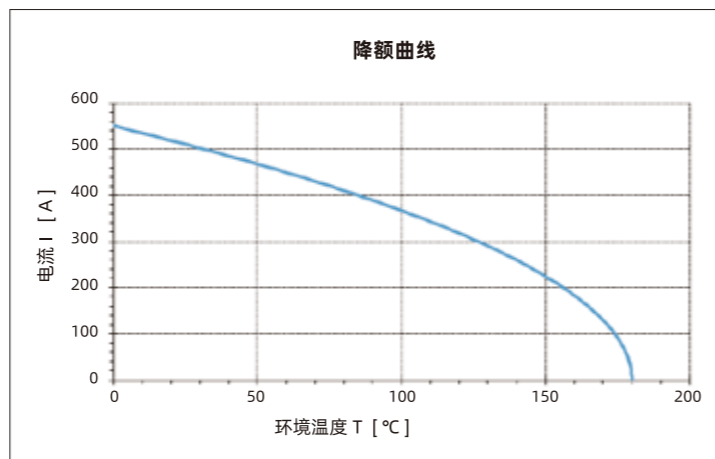
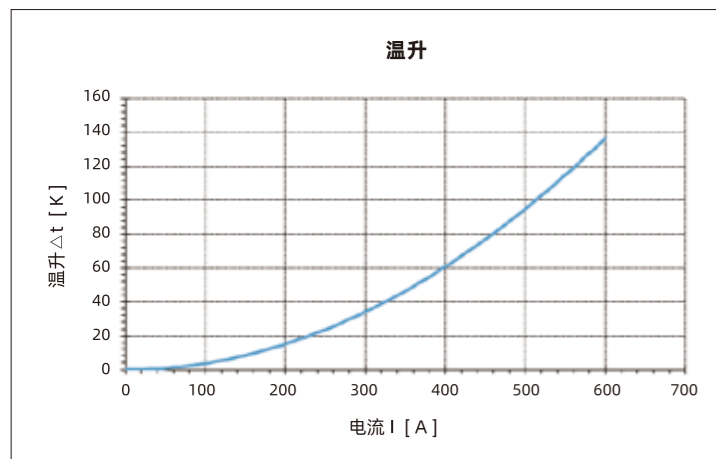


创新设计及工艺，颠覆传统劈槽端子

Innovative design and process to subvert traditional slot terminals

插不坏 / 焊不坏 / 震不坏 / 成本低

Not bad for insertion / soldering / Shockproof / low cost



- 端子尺寸/Terminal Size:  
Φ3mm、Φ6mm、Φ12mm
- 应用范围/Application scope:  
压接/焊接/螺接
- 载流能力/Current Capability:  
400A@85°C for 95mm<sup>2</sup>

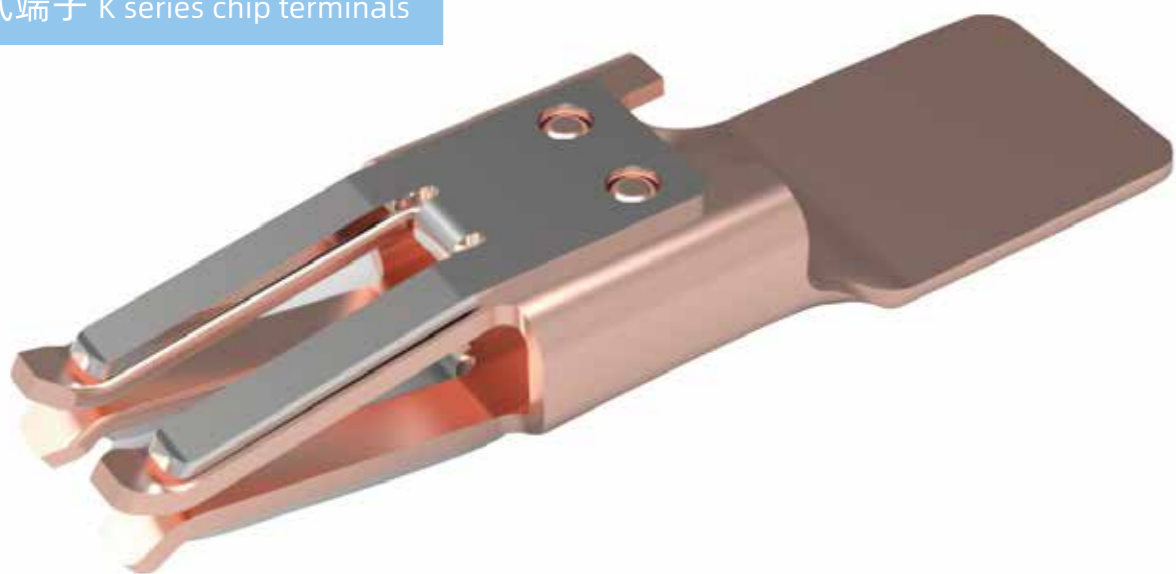
- 温度范围/Temperature Range:  
-40°C~180°C
- 插拔寿命/Mating Cycle:  
>10000次
- 出线方向/Direction of Outgoing Line:  
180°&90°
- 线径范围/Wire Range:  
16~120 mm<sup>2</sup> 铜线&铝线
- 抗振等级/Vibration Rating:  
LV215-2 SG2

物料号 Partnumbe	产品图片 Product image	连接方式 Connection method	出线方向 Outgoing direction	线径 Wire diameter
0230003-1		压接、头尾不可拆卸	180°	铜铝线：16~50mm <sup>2</sup>
0230003-2		压接、头尾可拆卸	180°	铜铝线：16~50mm <sup>2</sup>
0230003-3		焊接、头尾不可拆卸	180°	铜铝线：16~120mm <sup>2</sup>
0230003-4		焊接、头尾可拆卸	180°	铜铝线：16~120mm <sup>2</sup>
0230003-5		螺接、头尾不可拆卸	90°	铜铝线：16~120mm <sup>2</sup>
0230003-6		螺接、头尾可拆卸	90°	铜铝线：16~120mm <sup>2</sup>

为充换电而生 Born for charging and exchanging electricity



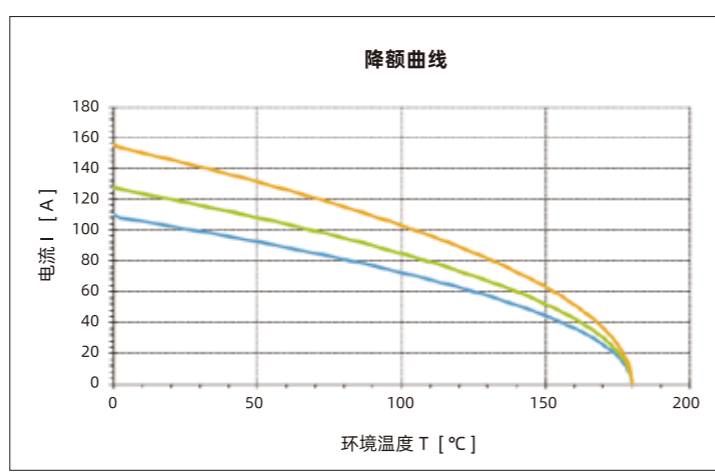
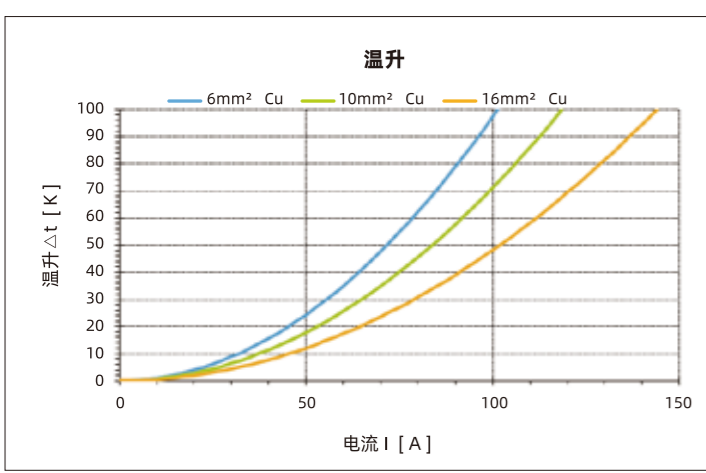
K系列片式端子 K series chip terminals



**抗高频车震，耐久才是真的好**  
High frequency vehicle shock resistance and durability are really good

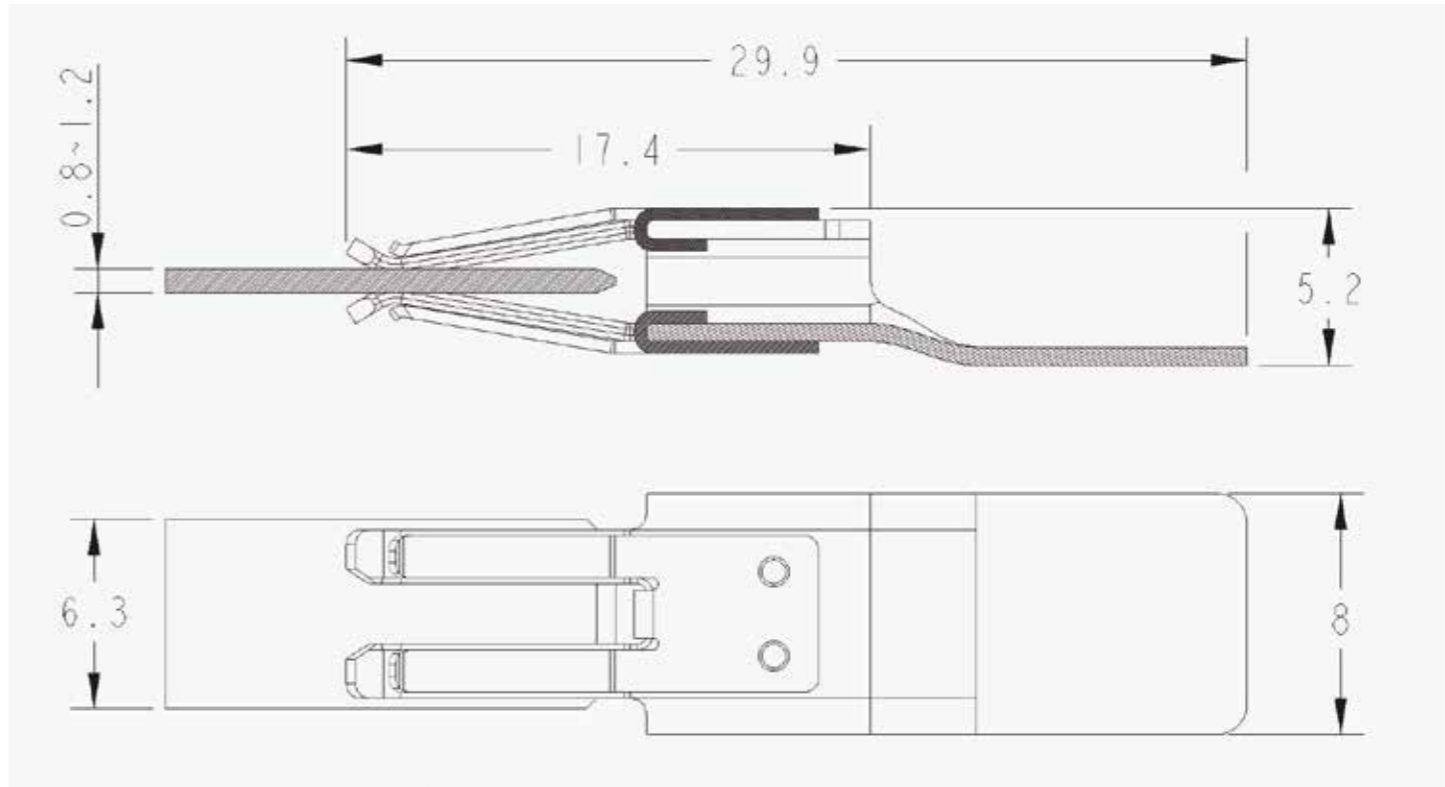
**高载流 / 高振动 / 成本低**

High current carrying capacity / high vibration / low cost



- 端子尺寸/Terminal Size: 6.3mm, 兼容厚度 0.8/1.0/1.2mm
- 应用范围/Application scope: 焊接
- 载流能力/Current Capability: 110A@85°C for 16mm²
- 温度范围/Temperature Range: -40°C~180°C
- 插拔寿命/Mating Cycle: >100次
- 出线方向/Direction of Outgoing Line: 180°&90°
- 线径范围/Wire Range: 4~16mm²铜线&铝线
- 抗振等级/Vibration Rating: LV215-2 SG3

K系列片式端子 K series chip terminals



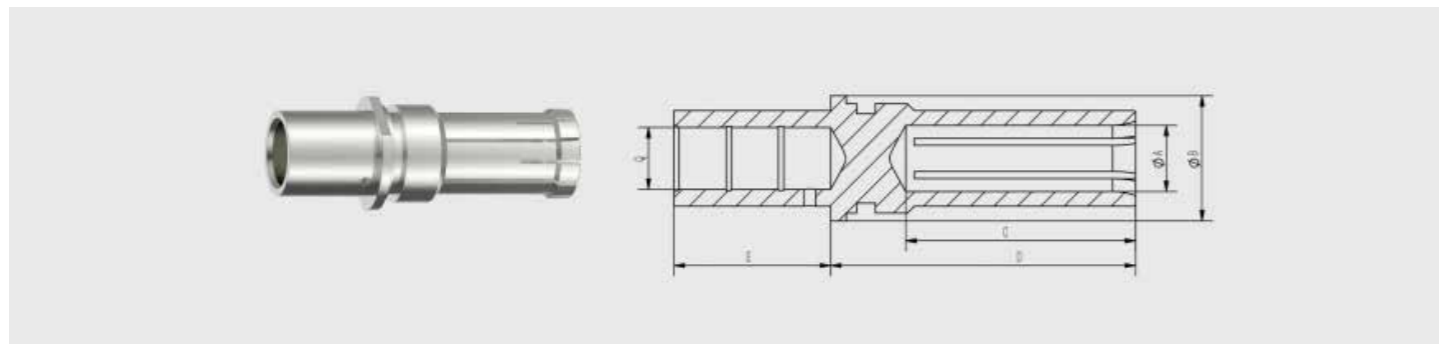
物料号 Partnumbe	产品图片 Product image	连接方式 Connection method	出线方向 Outgoing direction	线径 Wire diameter
0230006-1		焊接	180°	铜铝线: ≤16mm²
0230006-2		焊接	90°	铜铝线: ≤16mm²

L系列开槽端子 L series Slotted terminal



- 适用工况：额定电流300A以下
- 机械寿命：不低于10000次
- 低插拔力、高柔性：良好的抗振动、抗冲击、耐磨损性能
- 耐热不低于125°C
- 更安全的导电接触距离
- 匹配用户需求的定制化方案

- Applicable working conditions: rated current below 300A
- Mechanical life: not less than 10000 times
- Low insert and pull force, high flexibility: good vibration resistance, impact resistance and wear resistance
- Heat resistance not less than 125°C
- Safer conductive contact distance
- Customized solution that match customer's needs



L系列开槽端子 L series Slotted terminal

物料号 Part numbe	尺寸Dimensions						机械数据Mechanical Data		电气数据Electrical Data	
	ΦA mm	ΦB mm	C mm	D mm	E mm	Q mm <sup>2</sup>	插入力 Mating force(N)	拔出力 Demating force(N)	额定电流 Nominal current(A)	接触电阻 contact resistance(μn)
TU03C00400	3	6.2	15.5	20	12	4	5	2.5	40	400
TU04C00600	4	7.2	17	23	13	6	6	3	55	300
TU05C01000	5	8.2	19	26	14.5	10	7	3.5	75	200
TU06C01600	6	9.2	21.2	29.2	15	16	8	4	100	175
TU08C02500	8	11.2	23	33	16	25	10	5	125	150
TU10C03500	10	13.2	25.2	37	17	35	12	6	165	125
TU12C07000	12	16.2	27.2	41	18	70	14	7	250	100

备注:

- 1.尺寸参数仅供参考，以用户的实际工作条件为准；
- 2.尾部接线模式可定制。

Remarks:

- 1.The dimension parameters are for reference only,subject to the user's actual working conditions;
- 2.Tail wiring mode can be customized.

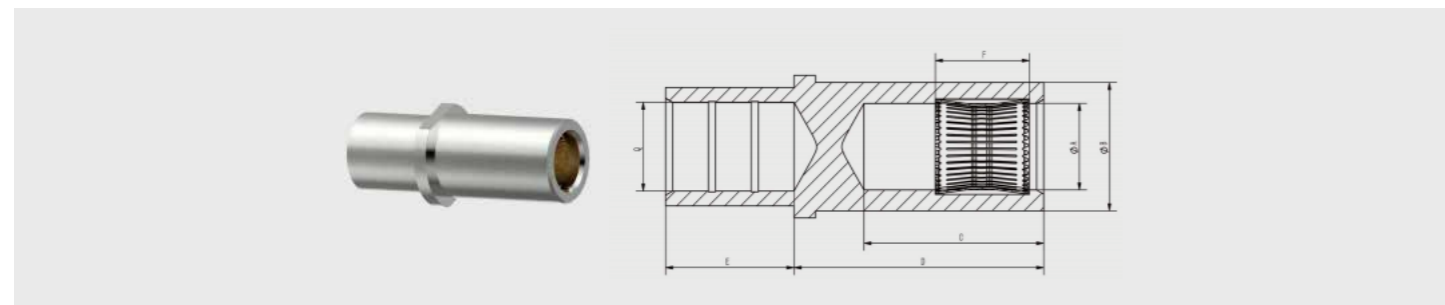


L系列片簧端子 L series Sliced terminal

- 适用工况：额定电流不低于300A
- 机械寿命：不低于10000次
- 低插拔力、高柔性：良好的抗振动、抗冲击、耐磨损性能
- 耐热不低于150°C
- 更紧凑的尺寸空间
- 匹配用户需求的定制化方案



- Applicable working conditions: rated current not less than 300A
- Mechanical life: not less than 10000 times
- Low insert and pull force, high flexibility: good vibration resistance, impact resistance and wear resistance
- Heat resistance not less than 150°C
- More compact size and space
- Customized solutions that match customer's needs

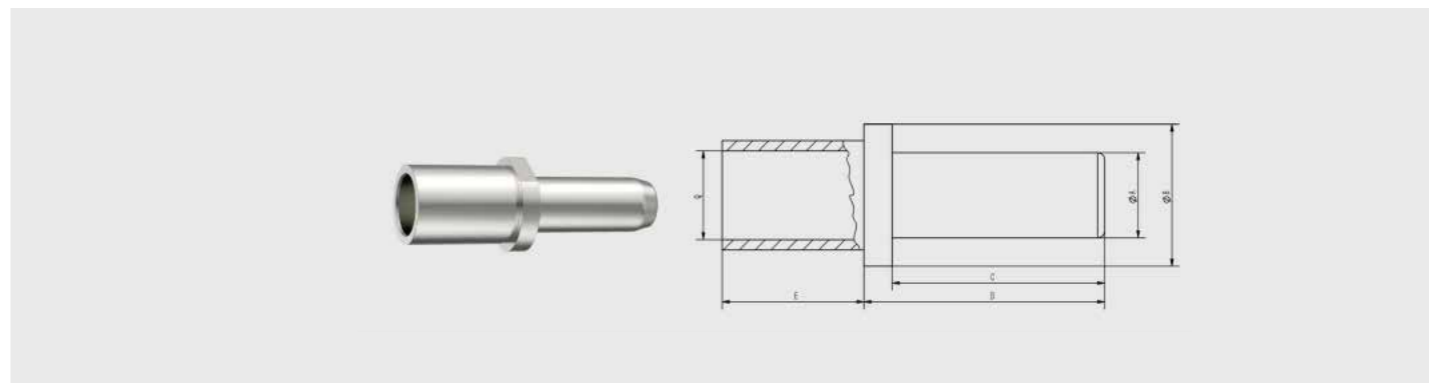


物料号 Part numbe	尺寸Dimensions							机械数据Mechanical Data		电气数据Electrical Data		
	ΦA mm	ΦB mm	C mm	D mm	E mm	Q mm <sup>2</sup>	F mm	插入力 Mating force	拔出力 Demating force(N)	额定电流 Nominal current(A)	瞬时电流 Surge current kA	接触电阻 contact resistance(μn)
LA03C00400	3	8	15	17	12	4	13	6	6	35	5	350
LA04C00600	4	9	15	17	13	6	13	7	7	40	8	300
LA05C01000	5	11	19	21	14.5	10	13	11	8	50	12	250
LA06C01600	6	12	24	27	15	16	13	12	9	60	19	170
LA08C02500	8	15	24	27	16	25	13	13	11	90	26	120
LA10C03500	10	17	24	27	17	35	13	14	12	120	27	100
LA12C07000	12	19	36	40	18	70	13	15	13	250	35	80
LA14C09500	14	21	36	40	20	95	13	17	14	300	42	75
LA16C12000	16	23	36	40	21	120	13	18	15	350	48	70
LA18C15000	18	25	40	45	22	150	13	19	17	400	52	60
LA20C24000	20	27	40	45	23	240	13	20	18	600	56	50

备注：  
1.尺寸参数仅供参考，以用户的实际工作条件为准；  
2.尾部接线模式可定制。

Remarks:  
1.The dimension parameters are for reference only,subject to the user's actual working conditions;  
2.Tail wiring mode can be customized.

插针数据Pin data



物料号 Part numbe	尺寸Dimensions					
	ΦA mm	ΦB mm	C mm	D mm	E mm	Q mm <sup>2</sup>
PN03C00400	3	11	18	20	12	4
PN04C00600	4	12	18	20	13	6
PN05C01000	5	14	21	23	14.5	10
PN06C01600	6	15	27	29	15	16
PN08C02500	8	18	27	29	16	25
PN10C03500	10	20	27	29	17	35
PN12C07000	12	23	39	42	18	70
PN14C09500	14	25	39	42	20	95
PN16C12000	16	27	39	42	21	120
PN18C15000	18	29	43	46	22	150
PN20C24000	20	31	43	46	23	240

备注：  
1.尺寸参数仅供参考，以用户的实际工作条件为准；  
2.尾部接线模式可定制。

Remarks:  
1.The dimension parameters are for reference only,subject to the user's actual working conditions;  
2.Tail wiring mode can be customized.



L系列片式端子 L series Stacked terminal



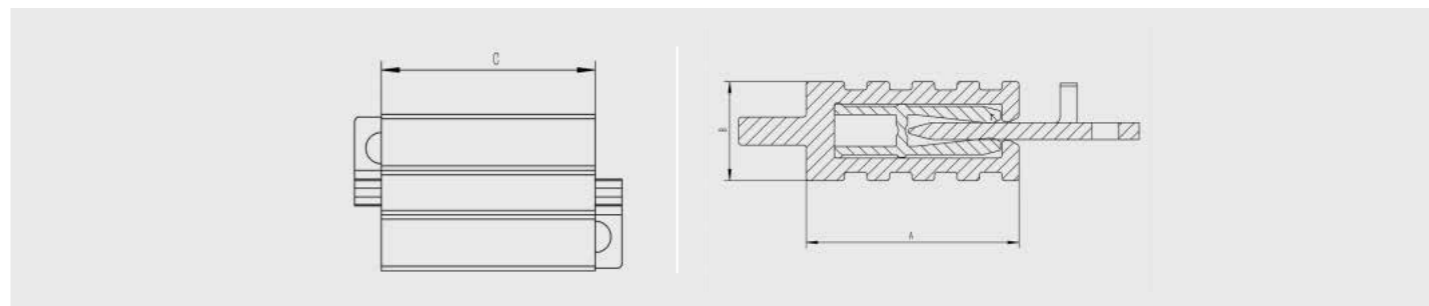
- 适用工况：额定电流2000A
- 机械寿命：不低于10000次
- 低插拔力、高柔性：良好的抗振动、抗冲击、耐磨损性能
- 更安全的导电接触距离
- 耐热不低于150°C
- 匹配用户需求的定制化方案

- Applicable working conditions: rated current below 2000A
- Mechanical life: not less than 10000 times
- Low insert and pull force, high flexibility: good vibration resistance, impact resistance and wear resistance
- Safer conductive contact distance
- Heat resistance not less than 150°C
- Customized solutions that match customer's needs

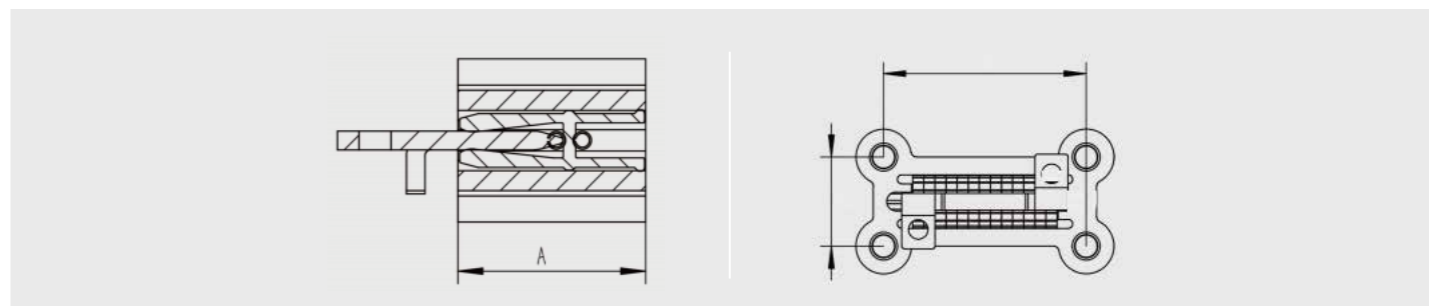
- 适用工况：额定电流2000A
- 机械寿命：不低于10000次
- 低插拔力、高柔性：良好的抗振动、抗冲击、耐磨损性能
- 更安全的导电接触距离
- 耐热不低于150°C
- 匹配用户需求的定制化方案

- Applicable working conditions: rated current below 2000A
- Mechanical life: not less than 10000 times
- Low insert and pull force, high flexibility: good vibration resistance, impact resistance and wear resistance
- Safer conductive contact distance
- Heat resistance not less than 150°C
- Customized solutions that match customer's needs

L系列片式端子 L series Stacked terminal



物料号 Part numbe	尺寸Dimensions			电气数据Electrical Data	
	A	B	C	额定电流 Nominal current(A)	接触电阻 contact resistance(μn)
ST05B00500	38	18	14	150	72
ST07B00500	38	18	18	210	52
ST09B00500	38	18	22	270	42
ST10B00500	38	18	24	300	35
ST12B00500	38	18	28	360	30
ST15B00500	38	18	34	450	25
ST18B00500	38	18	40	540	22
ST21B00500	38	18	46	630	19
ST24B00500	38	18	52	720	17
ST27B00500	38	18	58	810	15
ST30B00500	38	18	64	900	13
ST33B00500	38	18	70	1000	11



物料号 Part numbe	尺寸Dimensions			电气数据Electrical Data	
	A	B	C	额定电流 Nominal current(A)	接触电阻 contact resistance(μn)
ST13B00501	30	36.5	16	300	40

备注:

- 1.尺寸参数仅供参考，以用户的实际工作条件为准；
- 2.尾部接线模式可定制。

Remarks:

- 1.The dimension parameters are for reference only,subject to the user's actual working conditions;
- 2.Tail wiring mode can be customized.